

Fax option type 185 (A891)
Fax function upgrade type 185 (A892)
ISDN option type 185 (A890)
PC-Fax expander type 185 (A894)

PARTS CATALOG

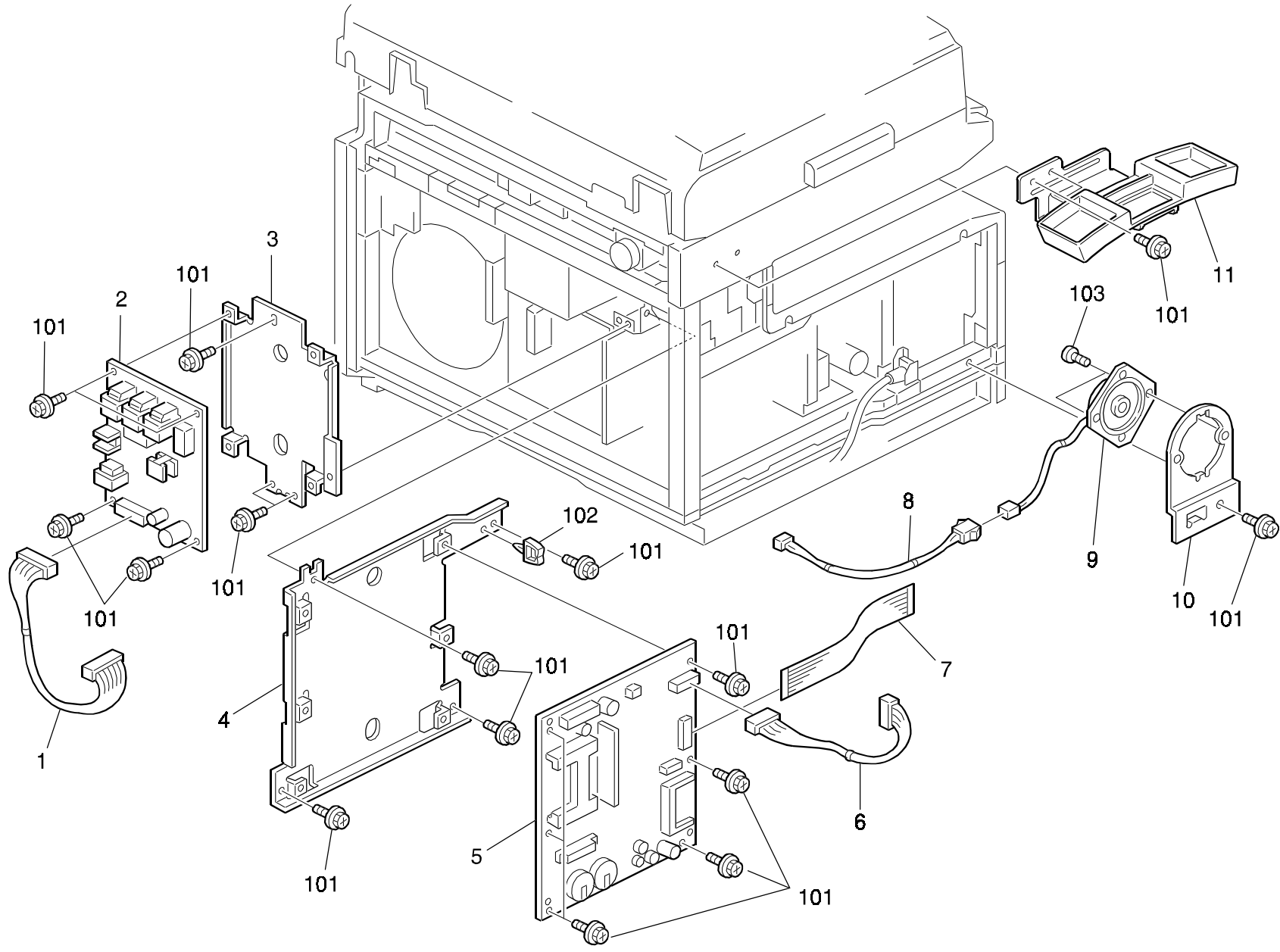
INTRODUCTION

This chapter instructs you the numbers and names of parts on this machine.

INDEX to PARTS CATALOG

1.FAX OPTION TYPE-185 1 (A891)	2
2.FAX OPTION TYPE-185 2 (A891)	4
3.FAX FUNCTION UPGRADE TYPE 185 (A892)	6
4.ISDN OPTION TYPE 185 (A890)	8
5.PC-FAX EXPANDER TYPE 185 (A894)	10
PARTS INDEX.....	13

1.FAX OPTION TYPE-185 1 (A891)

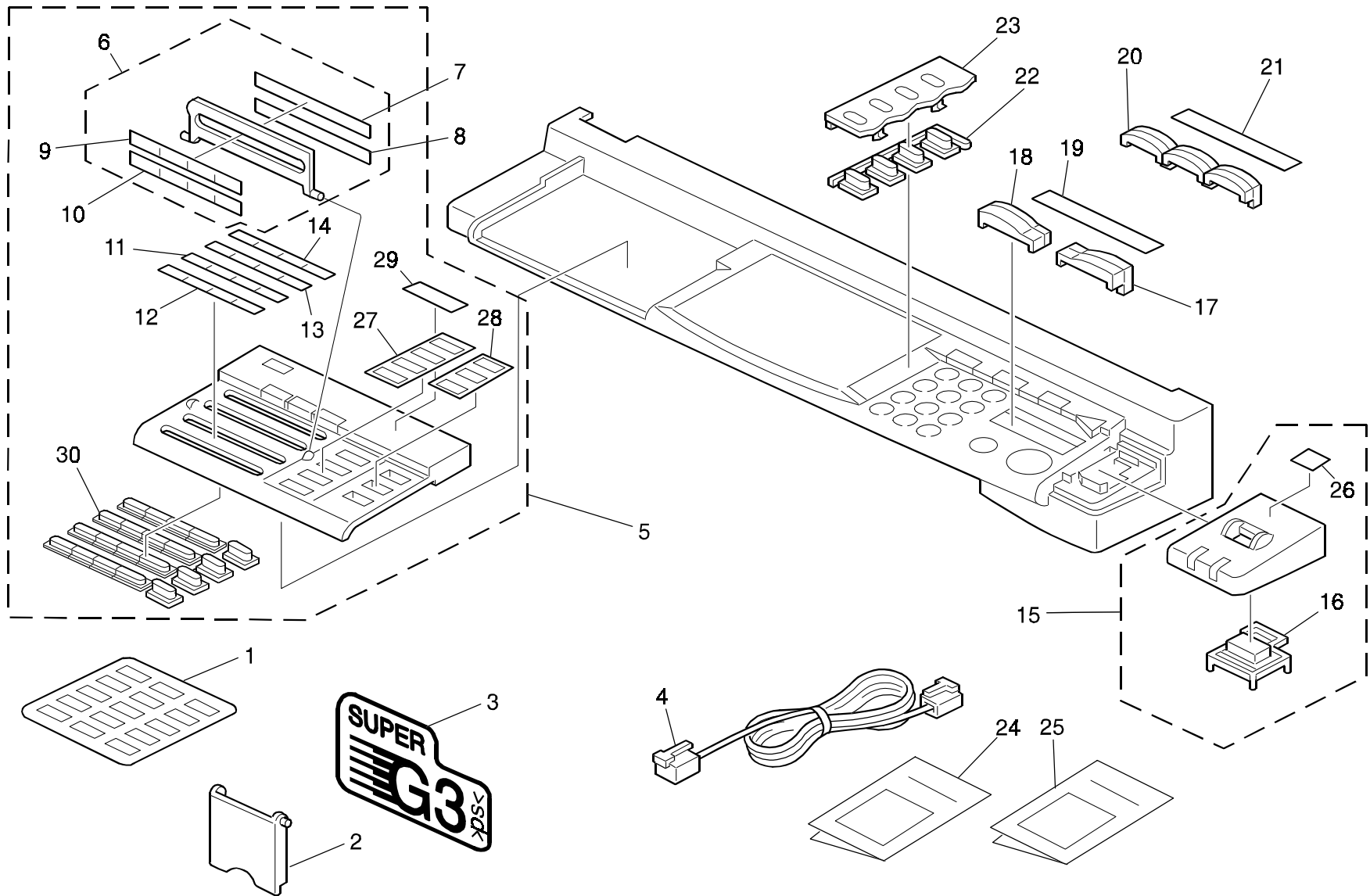


1.FAX OPTION TYPE-185 1 (A891)

Index No.	Part No.	Description	Q'ty Per Assembly
1	A291 5272	DC Harness - FCU-NCU (NA)	1
1	A291 5276	Harness - FCU-NCU (EU/ASIA)	1
2	5488 6122	PCB - NCU (NA)	1
2	5488 6142	PCB - NCU (EU/ASIA)	1
3	A291 5854	Bracket - NCU	1
4	A291 5853	Bracket - Fax Control Unit	1
5	A291 5162	PCB - FCU (NA)	1
5	A291 5164	PCB - FCU (EU)	1
5	A291 5174	PCB - FCU (ASIA)	1
6	A291 5271	DC Harness - FCU	1
7	A291 5270	DC Harness - BICU-FCU	1
8	A291 5277	Harness - FCU - MS (NA)	1
8	A291 5273	DC Harness - FCU-MS (EU/ASIA)	1
9	H516 5032	Speaker	1
10	A291 5857	Bracket:speaker	1
11	A194 5821	Handset Bracket (NA Only)	1

Index No.	Part No.	Description	Q'ty Per Assembly
101	0451 3006B	Tapping Screw - M3x6	
102	1105 0229	Clamp	
103	0353 0060B	Philips Pan Head Screw - M3x6	

2.FAX OPTION TYPE-185 2 (A891)

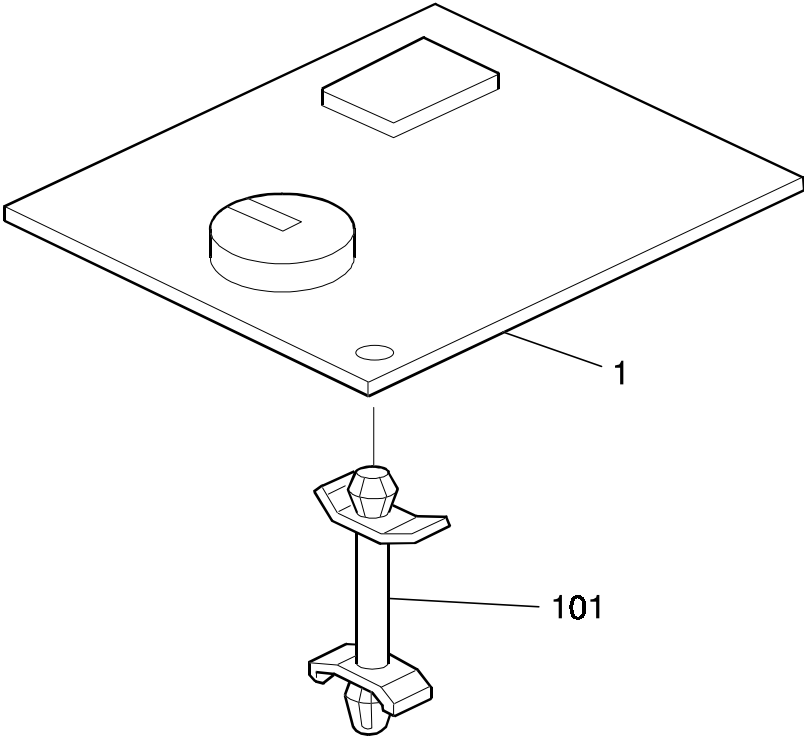


2.FAX OPTION TYPE-185 2 (A891)

Index No.	Part No.	Description	Q'ty Per Assembly
*	A891 8462	Fax Operation Panel Ass'y (NA/ASIA)	1
*	A891 8467	Fax Operation Panel Ass'y (EU)	1
1	A891 1475	Decal Operation - FAX Option (NA/ASIA Only)	1
2	A291 1302	Cover Main Switch	1
3	H553 3861	Decal:Super G3	1
4	H081 5700	Modular Cord - 6P/6P (NA/ASIA Only)	1
5	A891 8462	Packing FC-KEY2 NA ASS'Y (NA/ASIA)	1
5	A891 8467	Packing FC-KEY2 EU ASS'Y (EU)	1
6	A250 9000	Plate Onetouch Daial	1
7	A885 1469	Decal Dial 13-16	1
8	A885 1468	Decal Dial 09-12	1
9	A885 1470	Decal Dial 17-20	1
10	A885 1471	Decal Dial 21-24	1
11	A885 1472	Decal Dial 25-28	1
12	A885 1473	Decal Dial 29-32	1
13	A885 1467	Decal Dial 05-08	1
14	A885 1466	Decal Dial 01-04	1
15	A891 0051	Power Switch Ass'y - LT (NA/ASIA)	1
15	A891 0052	Power Switch Ass'y - A4 (EU)	1
16	A885 1452	Keytop - Power Source	1
17	A885 1456	Keytop - Right Application	1
18	A885 1457	Keytop - Left Application	1
19	A891 1459	Application Decal 2 - LT (NA/ASIA Only)	1
20	A885 1458	Keytop - Application 3	1
21	A891 1460	Application Decal 3 - LT (NA/ASIA Only)	1
22	A885 1455	Keytop - Right	1
23	A891 1454	Right Cover (NA/ASIA)	1
23	A891 1473	Right Cover (EU)	1
24	A891 8607	Operating Instructions - English NA (NA)	1
24	A891 8608	Operating Instructions - English ASIA/EU (ASIA)	1
25	A891 8657	CS Manual - English LT (NA)	1
25	A891 8658	Manual Cs Fax AA - English (ASIA)	1
26	A891 1453	Sheet - Power Source Cover LT (NA/ASIA)	1

Index No.	Part No.	Description	Q'ty Per Assembly
26	A891 1473	Sheet - Power Source Cover A4 (EU)	1
27	A891 1462	Sheet - Cover FAX NA (NA/ASIA)	1
28	A891 1463	Sheet - Cover Zoom NA (NA/ASIA)	1
28	A250 1485	Sheet - Cover Zoom EU (EU)	1
29	A891 1464	Sheet Cover Function NA (NA/ASIA)	1
30	A891 1465	Keytop Dial	1

3.FAX FUNCTION UPGRADE TYPE 185 (A892)

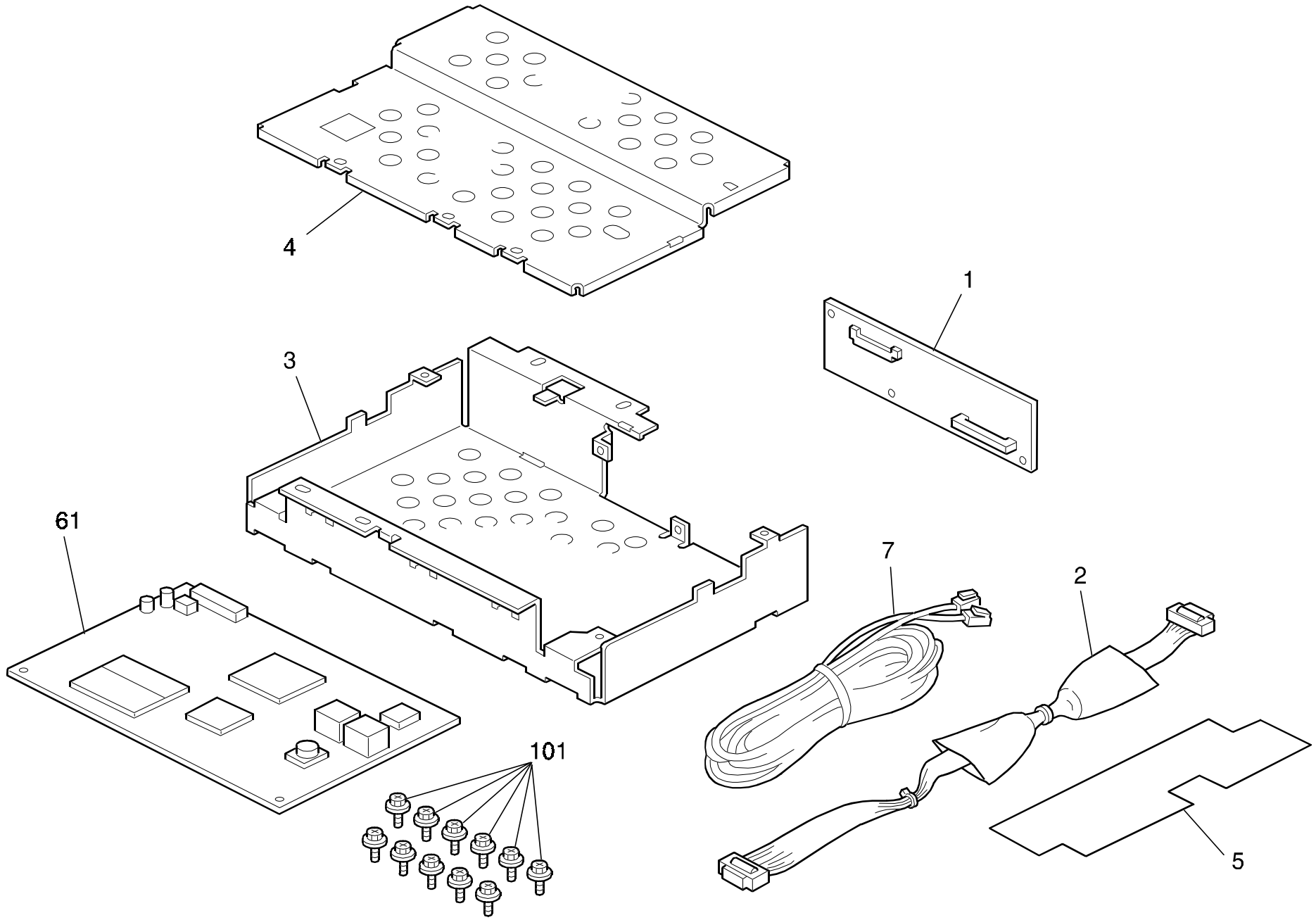


3.FAX FUNCTION UPGRADE TYPE 185 (A892)

Index No.	Part No.	Description	Q'ty Per Assembly
1	A285 5170	PCB - EXFN Ass'y	1

Index No.	Part No.	Description	Q'ty Per Assembly
101	1104 0502	PS Holder	

4.ISDN OPTION TYPE 185 (A890)

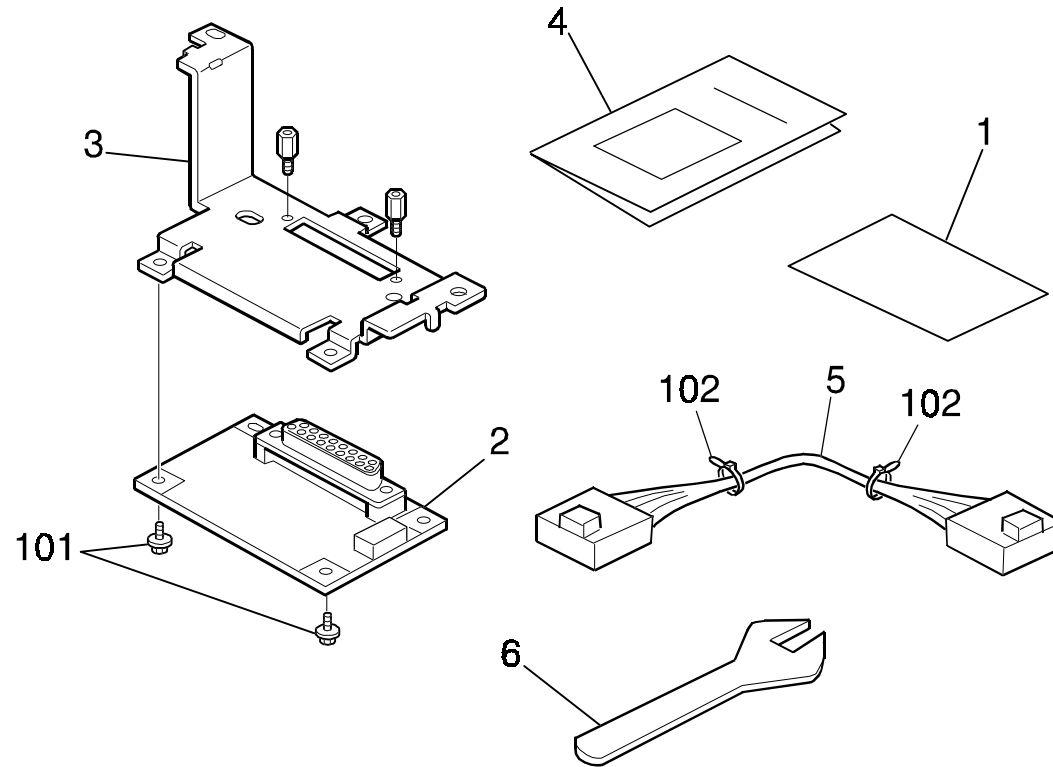


4.ISDN OPTION TYPE 185 (A890)

Index No.	Part No.	Description	Q'ty Per Assembly
1	A291 5182	PCB - G4	1
2	A291 5274	Harness - FCU - G4	1
3	A291 5860	Bracket G4 Ass'y	1
4	A291 5862	Bracket - Cover	1
5	A291 5863	Shield:exg4	1
6	H082 6035	Fax Control Board - 230V	1
7	H302 5700	ISDN Cable	1

Index No.	Part No.	Description	Q'ty Per Assembly
101	0451 3006B	Tapping Screw - M3x6	

5.PC-FAX EXPANDER TYPE 185 (A894)



5.PC-FAX EXPANDER TYPE 185 (A894)

Index No.	Part No.	Description	Q'ty Per Assembly
1	A894 8702	Quick Guide PCFE - TYPE185	1
2	A291 5184	PCB - PCFE Ass'y	1
3	A291 5858	Bracket - PCFE	1
4	A894 8602	Operating Instructions	1
5	A291 5275	Harness - FCU-PCFE	1
6	A291 5859	Wrench - PCFE	1

Index No.	Part No.	Description	Q'ty Per Assembly
101	0451 3006B	Tapping Screw - M3x6	
102	1105 0460	Clamp	

PARTS INDEX

Part No.	Description	Page and Index No.
A891 0051	Power Switch Ass'y - LT (NA/ASIA)	5- 15
A891 0052	Power Switch Ass'y - A4 (EU)	5- 15
A891 1453	Sheet - Power Source Cover LT (NA/ASIA)	5- 26
A891 1454	Right Cover (NA/ASIA)	5- 23
A891 1459	Application Decal 2 - LT (NA/ASIA Only)	5- 19
A891 1460	Application Decal 3 - LT (NA/ASIA Only)	5- 21
A891 1462	Sheet - Cover FAX NA (NA/ASIA)	5- 27
A891 1463	Sheet - Cover Zoom NA (NA/ASIA)	5- 28
A891 1464	Sheet Cover Function NA (NA/ASIA)	5- 29
A891 1465	Keytop Dial	5- 30
A891 1473	Sheet - Power Source Cover A4 (EU)	5- 26
A891 1473	Right Cover (EU)	5- 23
A891 1475	Decal Operation - FAX Option	5- 1
A891 8462	Packing FC-KEY2 NA ASS'Y (NA/ASIA)	5- 5
A891 8462	Fax Operation Panel Ass'y (NA/ASIA)	5- *
A891 8467	Packing FC-KEY2 EU ASS'Y (EU)	5- 5
A891 8467	Fax Operation Panel Ass'y (EU)	5- *
A891 8607	Operating Instructions - English NA (NA)	5- 24
A891 8608	Operating Instructions - English ASIA/EU	5- 24
A891 8657	CS Manual - English LT (NA)	5- 25
A891 8658	Manual Cs Fax AA - English (ASIA)	5- 25

Part No.	Description	Page and Index No
H081 5700	Modular Cord - 6P/6P (NA/ASIA Only)	5- 4
H082 6035	Fax Control Board - 230V	9- 6
H302 5700	ISDN Cable	9- 7
H516 5032	Speaker	3- 9
H553 3861	Decal:Super G3	5- 3

Part No.	Description	Page and Index No.
A194 5821	Handset Bracket (NA Only)	3- 11
A250 1485	Sheet - Cover Zoom EU (EU)	5- 28
A250 9000	Plate Onetouch Daial	5- 6
A285 5170	PCB - EXFN Ass'y	7- 1
A291 1302	Cover Main Switch	5- 2
A291 5162	PCB - FCU (NA)	3- 5
A291 5164	PCB - FCU (EU)	3- 5
A291 5174	PCB - FCU (ASIA)	3- 5
A291 5182	PCB - G4	9- 1
A291 5184	PCB - PCFE Ass'y	11- 2
A291 5270	DC Harness - BICU-FCU	3- 7
A291 5271	DC Harness - FCU	3- 6
A291 5272	DC Harness - FCU-NCU (NA)	3- 1
A291 5273	DC Harness - FCU-MS (EU/ASIA)	3- 8
A291 5274	Harness - FCU - G4	9- 2
A291 5275	Harness - FCU-PCFE	11- 5
A291 5276	Harness - FCU-NCU (EU/ASIA)	3- 1
A291 5277	Harness - FCU - MS (NA)	3- 8
A291 5853	Bracket - Fax Control Unit	3- 4
A291 5854	Bracket - NCU	3- 3
A291 5857	Bracket:speaker	3- 10
A291 5858	Bracket - PCFE	11- 3
A291 5859	Wrench - PCFE	11- 6
A291 5860	Bracket G4 Ass'y	9- 3
A291 5862	Bracket - Cover	9- 4
A291 5863	Shield:exg4	9- 5
A885 1452	Keytop - Power Source	5- 16
A885 1455	Keytop - Right	5- 22
A885 1456	Keytop - Right Application	5- 17
A885 1457	Keytop - Left Application	5- 18
A885 1458	Keytop - Application 3	5- 20
A885 1466	Decal Dial 01-04	5- 14
A885 1467	Decal Dial 05-08	5- 13
A885 1468	Decal Dial 09-12	5- 8
A885 1469	Decal Dial 13-16	5- 7

Part No.	Description	Page and Index No
A885 1470	Decal Dial 17-20	5- 9
A885 1471	Decal Dial 21-24	5- 10
A885 1472	Decal Dial 25-28	5- 11
A885 1473	Decal Dial 29-32	5- 12
A894 8602	Operating Instructions	11- 4
A894 8702	Quick Guide PCFE - TYPE185	11- 1

Part No.	Description	Page and Index No.
5488 6122	PCB - NCU (NA)	3- 2
5488 6142	PCB - NCU (EU/ASIA)	3- 2

Part No.	Description	Page and Index No
0353 0060B	Philips Pan Head Screw - M3x6	3-103
0451 3006B	Tapping Screw - M3x6	3-101
0451 3006B	Tapping Screw - M3x6	9-101
0451 3006B	Tapping Screw - M3x6	11-101
1104 0502	PS Holder	7-101
1105 0229	Clamp	3-102
1105 0460	Clamp	11-102